



**ADAPT**  
COMMERCIAL STRING LIGHT

## ADAPT COMMERCIAL STRING LIGHT- How it works

Choose your cord color, light engine, and multiple globe options to create a unique experience for any personal or public space

**Choose Your Cord:** →

Tivoli's standard 48' strand with (24) E26 Medium base sockets. Available in black or white with 24" O.C. socket spacing.

**Order Your Light Engine:** →

4W each with a lumen delivery up to 400 lumens per light engine. Available in 2700K and 3000K only.

**Multiple ADAPT Globes:** →

Available in both G125 and ST19 profiles. Total of 11 styles to choose from.





## Order Information - String and Light Engine



**COMMERCIAL STRING**  
**TCSL-S-X-24-120**  
**X = B (black), W (white)**  
 48' Commercial string/cord, 24" O.C.  
 with molded male and female end



**ALS-TF-T25-E26-4W-XXK-6PK-R**  
**XXK = 27K (2700K), \*30K (3000K)**  
 Filament Light Engine  
 Sold as 6 Pack with (1) rubber O-Ring per Bulb  
 \*Consult Factory for MOQ

## Specification

| <b>ADAPT Commercial String Light (based on 2700K)</b> |  |
|---|--|
| Socket Spacing  | 24"  |
| Socket Type   | E26  |
| Socket Count  | 24   |
| Cord Length   | 48' with male and female molded ends   |
| Cord Type   | 3C x 14AWG SJTW  |
| Cord Plug   | 5-15P Polarized  |
| Cord Weight   | 7.85 lbs.  |
| Available Cord Color                                  | Black, White   |
| Field Cuttable Cord                                   | NO   |
| Operating Voltage                                     | 120V AC  |
| Watts/Strand  | 96W based on 10% voltage drop  |
| Max Run   | Feet (384), Strand sets (8), Watts (768)   |
| <b>ADAPT Globe</b>                                    |  |
| Globe   | Glass (Shatter resistance assist with silicone coating - Glass may still break under certain conditions) |
| <b>ADAPT Light Engine</b>                             |  |
| Watts/bulb  | 4W   |
| Lumens/bulb   | 400 light engine only (Lumen output may vary based on globe choice)                                      |
| Weight (lbs)/bulb                                     | .10  |
| Kelvin Temperature                                    | 2700K, 3000K   |
| CRI   | 80+  |
| Operating Voltage                                     | 120V AC  |
| Dimming   | ELV, TRIAC   |
| Base  | E26 Medium base  |
| <b>Certification and Testing</b>                      |  |
| Certification (Cord, Light Engine)                    | cETLus   |
| Environment (Cord, Light Engine)                      | Wet Location   |
| IP Rating (Cord, Light Engine)                        | IP65   |
| Lifetime Hours (Light Engine)                         | 15,000   |
| Warranty (Cord, Light Engine)                         | 3 Years  |

**Order Information - ADAPT Globe**

G125 Globe (Weight: .25 lbs/ea.)



(Shatter resistance assist with silicone coating - Glass may still break under certain conditions)



**Ana**  
LSA-ANA-N



**Angela**  
LSA-ANG-N



**Gina**  
LSA-GIN-N



**Gaby**  
LSA-GAB-N



**Katie**  
LSA-KAT-N



**Susan\***  
LSA-SUS-N



**Toni\***  
LSA-TON-N



**Lucia\***  
LSA-LUC-N



**Victoria\***  
LSA-VIC-N

ST19 Globe (Weight: .10 lbs/ea.)



**Brenda**  
LSA-BRE-N



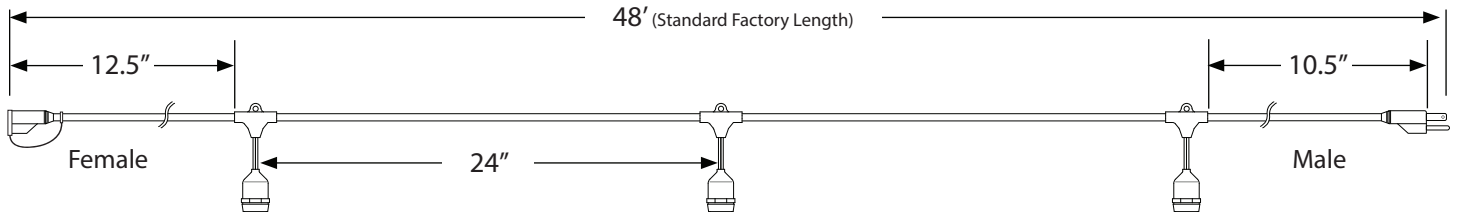
Shatter Resistant  
Silicone Coating



**Laura\***  
LSA-LAU-N

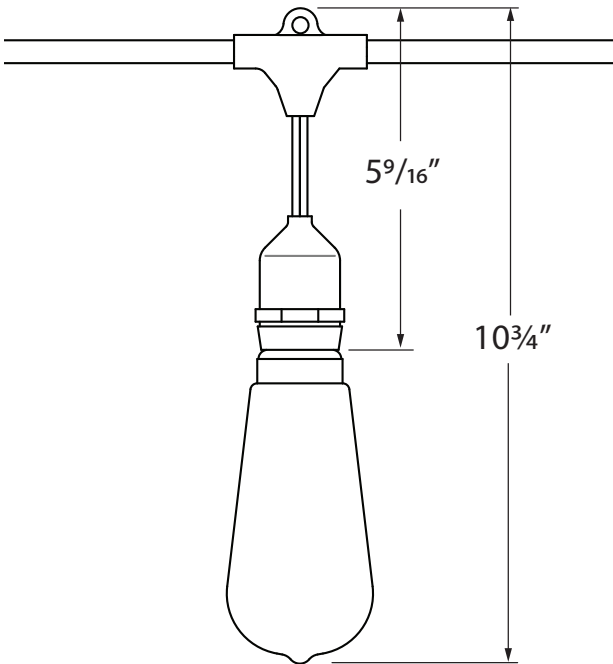
\*Consult Factory for MOQ and Lead Time.

**Standard Spacing and Weights**



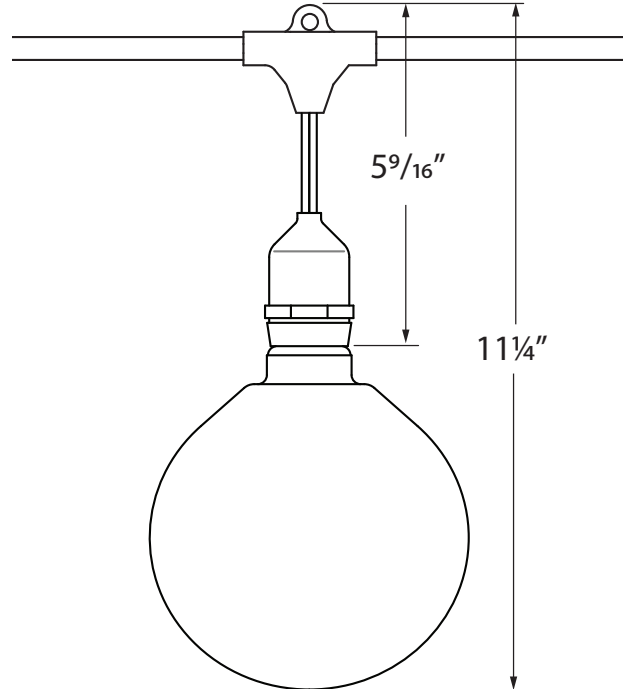
Filament light engine and ST19 total weight w/48 ft. string

12.65 lbs.



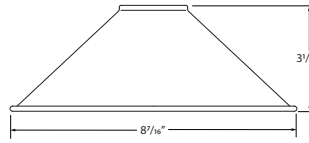
Filament light engine and G25 total weight w/48 ft. string

16.25 lbs.

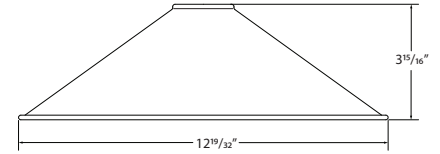


**Light Shades**

**HAT**



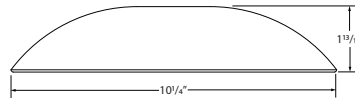
**SHADE-HT-BK-BK-8**  
Light Shade - HAT  
8.3" Black Top, Black Bottom



**SHADE-HT-BK-BK-13**  
Light Shade - HAT  
12.6" Black Top, Black Bottom  
**\*SHADE-HT-BK-CO-13**  
Light Shade - HAT  
12.6" Black Top, Copper Bottom

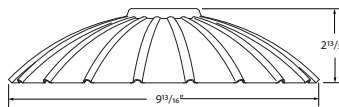
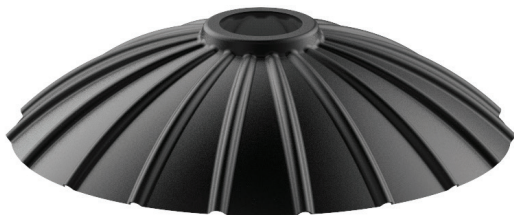
\*Consult factory for lead time and MOQ

**DISH**

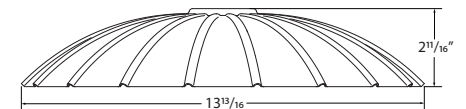


**SHADE-DS-BK-BK-10**  
Light Shade - DISH  
8.0" Black Top, Black Bottom

**FLOWER**



**SHADE-FL-BK-BK-10**  
Light Shade - FLOWER  
9.8" Light Shade, Black Top, Black Bottom



**SHADE-FL-BK-BK-13**  
Light Shade - FLOWER  
13.8" Light Shade, Black Top, Black Bottom

**Accessories**



**SHADE-ADP-CSL-BK-25** Light Shade Adapter  
PVC Black Adapters - Sold in packs of 25  
Comes with (25) Adapters, (50) set screws and (1) Allen Key.

**SHADE-ADP-CSL-BK-01** Light Shade Adapter  
PVC Black Adapters - Sold individually  
Comes with (1) Adapters, (2) set screws and (1) Allen Key.

\*Consult factory for lead time and MOQ

## Mounting

**WARNING:** For suspension application, catenary cable is required to support the product, otherwise the warranty will be void.



**LS-CABLE-60** Catenary Cable Kit - 60'  
(1/8" stainless steel aircraft cable includes 2 cables locks for use with loads up to 200lbs)

**LS-CABLE-110** Catenary Cable Kit - 110'  
(1/8" stainless steel aircraft cable includes 2 cables locks for use with loads up to 200lbs)

**LS-CABLE-500** Catenary Cable Kit - 500'  
(1/8th" stainless steel aircraft cable for use with loads up to 200lbs)



**LS-LOCK-X** Cable Lock  
X = 2 (2 Locks), 4 (4 locks) Includes (1) cable release key.  
Cable Lock for 1/8th inch cable, Heavy-duty lockable fasteners support loads up to 200 lbs. Can be easily adjusted without the use of tools.



**LS-TT** Catenary Tensioning Tool  
Catenary Cable Tensioning Tool up to 880lbs with minimal effort due to the 6:1 gear drive mechanism. Integral torque gauge controls the load applied to the wire, giving consistent tension every time and optimizing the life of the wire.



**LS-UVZP-BK-50** UV Zip Ties  
50 pc Bag set. UV resistant, heavy duty ties. Maximum weight up to 100 lbs./per tie.



**LS-UVZP-BK-30** UV Zip Ties  
30 pc Bag set. UV resistant, heavy duty ties. Maximum weight up to 100 lbs./per tie.

## Installation with Suspension Cable

